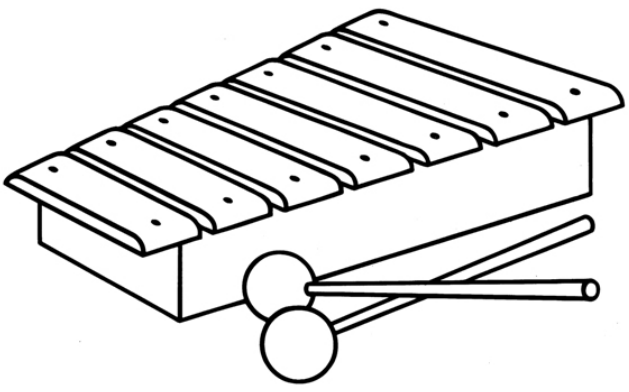
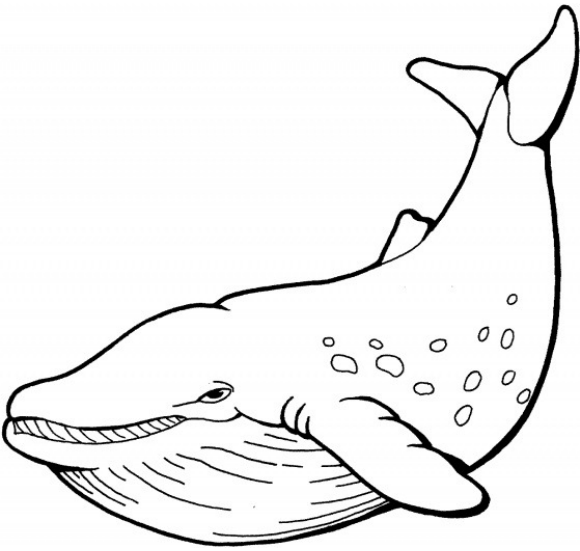


Colour the item that starts with 'W' blue, and the item that starts with 'X' red.



This worksheet brought to you compliments of
Stoney Creek Co-operative Preschool
www.stoneycreekcoop.ca 905-662-4740